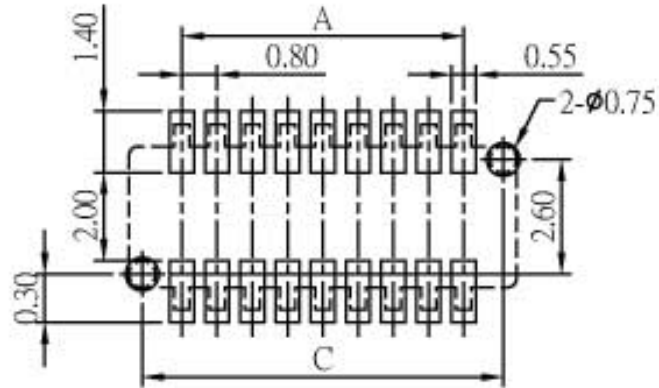
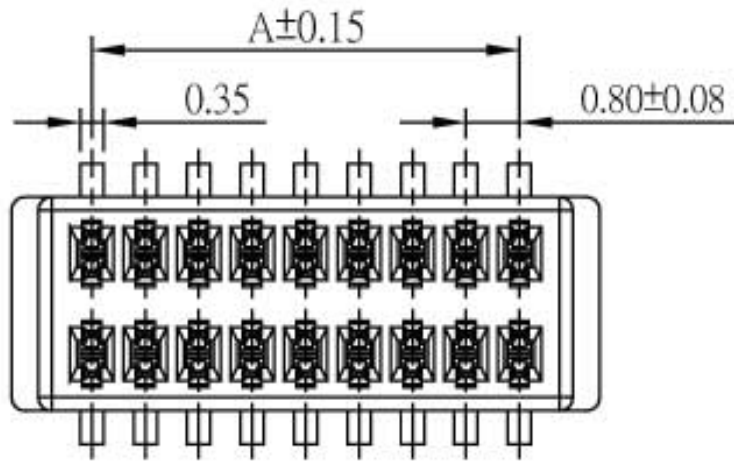
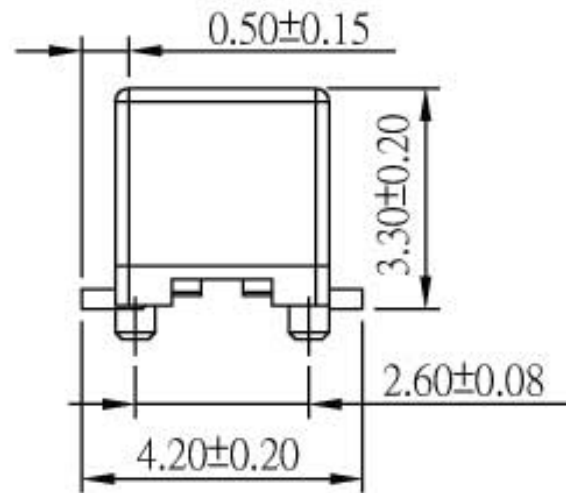
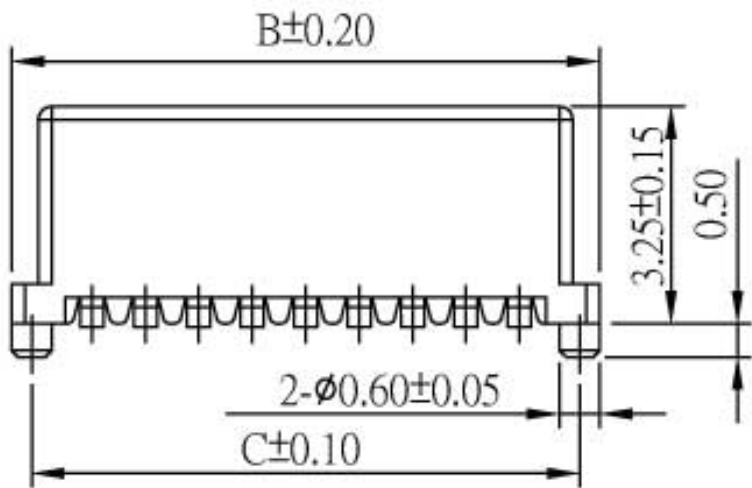


Board To Board Female 0.8mm H=3.25mm



Recommended PCB Layout
(PCB TOLERANCE ± 0.05)



No. of Contacts	Dim. A	Dim. B	Dim. C
6	1.60	4.00	3.40
8	2.40	4.80	4.20
10	3.20	5.60	5.00
12	4.00	6.40	5.80
14	4.80	7.20	6.60
16	5.60	8.00	7.40
18	6.40	8.80	8.20
20	7.20	9.60	9.00
22	8.00	10.40	9.80
24	8.80	11.20	10.60
26	9.60	12.00	11.40
28	10.40	12.80	12.20
30	11.20	13.60	13.00
32	12.00	14.40	13.80
34	12.80	15.20	14.60
36	13.60	16.00	15.40